



 **Allied Filter Systems Ltd**

Filter Bag Housings & Accessories





Filter bag housings are precision manufactured for industrial processes and applications including:

- Adhesive
- Automotive
- Beverage
- Biofuel
- Chemical and Petrochemical
- Cosmetics and Toiletries
- Cutting Fluids and Cooling Water
- Dairy Products
- Detergents
- Electronics
- Foods
- Inks/Dyes
- Lacquers
- Lubricants
- Oils
- Paints and Powder Coatings
- Pharmaceutical
- Resins
- Varnishes
- Water Treatment



Contents

- 4 RBF Profile Series 11/12
- 6 HD Series 11/12
- 8 MINI Series 13/14
- 12 Special Option and Custom Made Vessels
- 13 HD22 Dual Filter Bag Housing
- 14 Multi Bag Filter Housings
- 16 Polypropylene Series 11/12
- 17 Technical and Performance Data
- 18 Bag Filter Accessories
- 19 Welseal and Santaseal Moulded Ring Filter Bags

Introduction

A high quality filter housing is a vital component of a filter system.

The performance of a filter bag, some of which are rated at efficiencies in excess of 99.98% at a given micron rating, can be reduced if compromise is made when purchasing a filter housing.

Allied Filter Systems Ltd offers a range of exceptional filter housings to suit all requirements and budgets.

Our comprehensive range of filters provides economical, reliable and cost effective filtration. The precision construction of every filter ensures high performance, durability and efficiency whilst conforming to and exceeding the required safety standards.

Our innovative and modern designs ensure maximum filter system performance. Thought and care has been invested into every aspect of our range, from providing excellent filter bag sealing arrangements, through to offering imaginative and practical closure systems.

As well as having a high quality of construction and design, we have produced a range of versatile products adaptable to all customer needs. Our vessels offer optional features including, for example, being fitted with a selection of connection types and a choice of inlet and outlet orientations.

Allied's filter housings are suitable for applications ranging from small batches (e.g. $5\text{m}^3/\text{hr}$ flow) to continuous flows up to $960\text{m}^3/\text{hr}$.

All vessels are designed, manufactured, tested and inspected to meet and exceed EC regulations* (Pressure equipment directive 97/23/EC), which enables us to offer CE marked pressure vessels to all classifications. They can also be certified to ATEX Directive 94/9/EC for use in potentially explosive atmospheres.

The UK's leading manufacturer and supplier of filter bags and equipment for process industries

* All AFS filter vessels are designed and manufactured in accordance with the Pressure Vessel directive 97/23/EC and welding standards in PD 5500. Welding procedure Test Certificate to:
a) BS EN 288 Part 3 (Including amendment A1) b) ASME IX (Ref : QW200). For more information on Pressure Vessel Equipment and Directive please contact Allied Filter Systems Ltd.

For recommendations on which bag or filter housing material to use, for complete pressure drop and flow rate data and also how to size bag filters contact your AFS representative or Allied Filter Systems Ltd.

www.alliedfilter.co.uk

RBF Profile Series 11/12

The RBF Profile series is a side entry, recessed basket design filter housing. The vessel features our unique double profiled body, which seats both the restrainer basket and filter bag. The filter bag is held in position between the two profiles, and precision manufacture ensures a positive seal between the filter bag and housing. A hold down device is present for further security and is compressed by the top cover. The profiled body eliminates crevices, and with all parts being accessible, is easy to clean.

The heavy duty restrainer basket is constructed from high open area perforated stainless steel and holds our complete range of filter bags, from traditional steel ring to our moulded 'Welseal' zero-bypass collar (see page 19). Precision manufacture of the vessels profiled body ensures no need for an under basket o-ring.

Within this series are two models, the **RBFP** and the **RBFD**, giving a choice of two lid closure systems to suit all budgets.

RBFP: Features tri-clover top cover plate which is held in place by three reclining swing bolts with eye nuts, and seals with a single o ring. One of the nuts acts as a hinge. The cover plate also has a lid stop and an integrated lifting handle, and can be orientated to 3 different opening positions.

RBFD: Dome lid design with V clamp band closure, single O ring seal

The RBF Profile series is available in stainless steel grades 304 and 316L, with a bead blasted, chemically brightened or pickled and passivated exterior finish. The standard range includes two styles (connection configurations), style 2 (top inlet / bottom outlet) and style 6 (top inlet / 90° bottom elbow outlet). Optional features are available to meet all customer requirements (See page 12).

The RBF Profile is 110°C and 10 Bar rated and can be CE Marked.



Model Code	Number of filter bags	Bag size number	Surface area per bag (m ²)	Inlet/Outlet size (inches)	Maximum flow rate*		
					GPM	Litres/min	m ³ /hr
RBFD11/RBFP11	1	1	0.25	1" - 4"	73	333	20
RBFD12/RBFP12	1	2	0.50	1" - 4"	147	666	40

*Maximum flow rate is based on aqueous flow at $\Delta P=1.0$ psi clean through filter only without bag installed

Flow rate is dependant on type of media, size of particle to be removed, fluid viscosity and volume of contamination.

Styles 2 and 6 dimensional drawings are shown opposite for RBFP11 (Size 1) and RBFP12 (Size 2).

Note: Dimensions (mm) are nominal, not to be used for installation purposes.

RBFP11 Dimensions (Nominal)

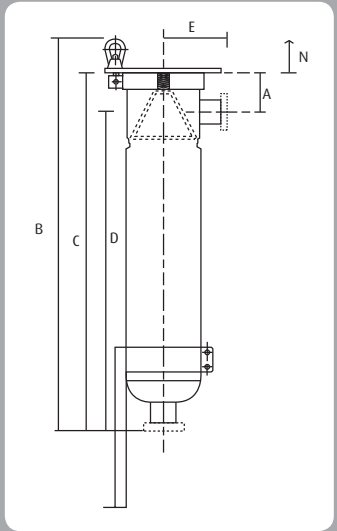
Connection type	Style	A	B	C	D	E	N*
2" BSP (F)	2	112	728	641	529	145	406
2" FLG	2	112	758	671	559	175	406
2" BSP (F)	6	112	748	661	549	145	406
2" FLG	6	112	748	661	549	175	406

*Minimum clearance to remove filter bag

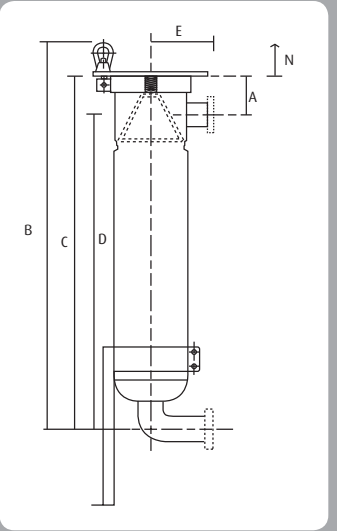
RBFP12 Dimensions (Nominal)

Connection type	Style	A	B	C	D	E	N*
2" BSP (F)	2	112	1091	1004	892	145	762
2" FLG	2	112	1121	1034	922	175	762
2" BSP (F)	6	112	1111	1024	912	145	762
2" FLG	6	112	1111	1024	912	175	762

*Minimum clearance to remove filter bag



Style 2 (2" BSP(F) or flanged)



Style 6 (2" BSP(F) or flanged)



Specification

- 1/2" BSP plug standard on top vent
- 2" BSP (F) inlet and outlet standard for threaded connections
- 2" ANSI 150 or DN50 PN16 inlet and outlet flanges standard on all flanged vessels.
- Customer may specify any connection size, type and configuration if different from standard
- Adjustable legs are standard
- Gasket materials include :- Buna-n (nitrile), EPDM (Ethylene propylene), Viton, Neoprene, PTFE, PTFE Encapsulated

HD Series 11/12

The HD11 and 12 Single Bag Filter is designed for heavy duty industrial applications and gives the highest possible performance in demanding processes. Featuring investment cast components, it is the most modern, innovative and practical filter housing available on the market.

The HD series has a top entry design, ensuring a minimum head of unfiltered liquid. It features flush top fitting of filter bags, which enables easy changeout, and is therefore suitable for use with the most aggressive fluids. The filter bag is held in position by compression from the top cover ensuring a 360° positive seal.

The vessel features stainless steel 316L heavy duty investment-cast lid, bag seating and inlet port components. The design provides a smooth fluid flow path ensuring low pressure drops. The open structure of the underside of the lid and inlet port allows all parts to be easily accessible, making the housing easy to clean. The use of investment cast components enables the housing to feature only 2 welds.



A unique feature of the HD series is the availability of inline connections (Style 1), enabling easy installation and eliminating the need for complex pipework arrangements. The style 1 configuration also requires the lowest possible installation height.

The HD series features a precision manufactured heavy duty basket, with no need for an under basket o-ring. Constructed from large open area perforated stainless steel, the internal restrainer basket can serve as a bag filter support or a strainer. It holds traditional steel ring filter bags as well as those designed with our unique moulded 'Welseal' tops to eliminate product bypass, whilst operating at high differential pressures. The design of the HD vessel enables the need for only one o-ring seal.

The lid is held in place by four reclining swing bolts with eye nuts. The lid is hinged, and has an integrated lifting handle.

As standard, HD filter housings have a stainless steel 316L construction (optional SS304 body) and can have a bead blasted, chemically brightened or pickled and passivated external finish. The HD filter housing is 110°C and 10 Bar rated, and is CE Marked. Optional features and styles are available to meet all customer requirements (See page 12)



Model Code	Number of filter bags	Bag size number	Surface area per bag (m ²)	Inlet/Outlet size (inches)	Maximum flow rate*		
					GPM	Litres/min	m ³ /hr
HD11	1	1	0.25	2" - 4"	73	333	20
HD12	1	2	0.50	2" - 4"	147	666	40

*Maximum flow rate is based on aqueous flow at ΔP=1.0psi clean through filter only without bag installed

Flow rate is dependant on type of media, size of particle to be removed, fluid viscosity and volume of contamination

Styles 1 and 2 dimensional drawings are shown opposite for HD 11 (Size 1) and HD12 (Size 2). Styles 3-6 also available.

Note: Dimensions (mm) are nominal, not to be used for installation purposes.

HD11 Dimensions (Nominal)

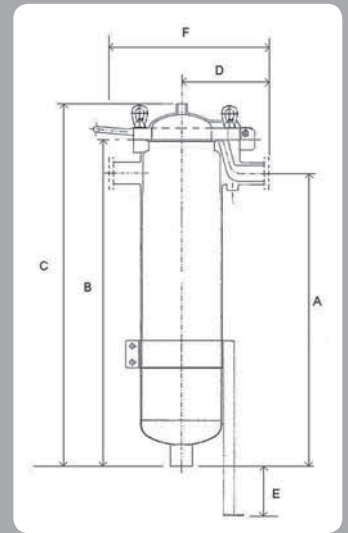
Connection types	Style	A	B	C	D	E	F	N*
2" BSP (F)	1	353	446	546	238	180-270	355	406
2" FLG	1	353	446	546	257	180-270	427	406
2" BSP (F)	2	353	446	546	238	180-270	-	406
2" FLG	2	372	465	565	257	160-250	-	406

*Minimum clearance to remove filter bag

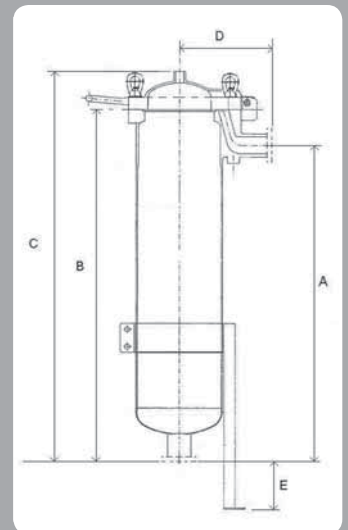
HD12 Dimensions (Nominal)

Connection types	Style	A	B	C	D	E	F	N*
2" BSP (F)	1	728	821	921	238	0-250	408	762
2" FLG	1	728	821	921	257	0-250	446	762
2" BSP (F)	2	728	821	921	238	0-250	-	762
2" FLG	2	747	840	940	257	0-250	-	762

*Minimum clearance to remove filter bag



Style 1 (2" BSP(F) or flanged)



Style 2 (2" BSP(F) or flanged)



Specification

- 2" BSP drain standard on style 1 and 3 vessel
- ½" BSP plug standard on inlet drain
- ½" BSP plug standard on top vent
- 2" BSP (F) inlet and outlet standard on all threaded vessels
- 2" ANSI 150 or DN50 PN16 inlet and outlet flanges standard on all flanged vessels
- Customer may specify any connection size, type and configuration if different from standard
- Adjustable legs are standard
- Gasket materials include: Buna-n (nitrile), EPDM (Ethylene propylene), Viton, Neoprene, PTFE, PTFE Encapsulated

MINI Series 13/14

Allied Filter Systems offers a range of mini bag filter housings ideally suited to small batch operations. These compact bag filters are manufactured as standard using stainless steel 316L, and have an exterior bead blasted or chemically brightened finish. Depending on model, they can be CE Marked and have optional features to meet all customer requirements (See page 12).

The standard range includes four models in two different sizes.

HD13 and 14

Flush top bag fitting, with laser cut profile top held in place by two reclining swing bolts with eye nuts. One of the nuts acts as a hinge to the top cover.

RBF13 and 14

Recessed bag fitting, with laser cut profile top held in place by three reclining swing bolts with eye nuts. One of the nuts acts as a hinge to the top cover.

RBFS13 and 14

Recessed filter bag model featuring a unique quick closure system - the lid is simply screwed onto a thread on the filter body. The lid has an integrated lifting handle for ease of use.

RBFV13 and 14

Recessed bag fitting with profiled body and v-clamp band lid design.



RBF13

RBF14

HD14

Model Code	Number of filter bags	Bag size number	Surface area per bag (m ²)	Inlet/Outlet size (inches)	Maximum flow rate*			Maximum operating temperature (°C)	Maximum operating pressure (Bar)
					GPM	Litres/min	m ³ /hr		
RBFS13 RBF13 HD13	1	1M(3)	0.07	1" - 2"	22	100	6	110	10
RBFV13	1	1M(3)	0.07	1.5"	22	100	6	60	9
RBFS14 RBF14 HD14	1	2M(4)	0.12	1" - 2"	37	167	10	110	10
RBFV14	1	2M(4)	0.12	1.5"	37	167	10	60	9

*Maximum flow rate is based on aqueous flow at ΔP=1.0psi clean through filter only without bag installed

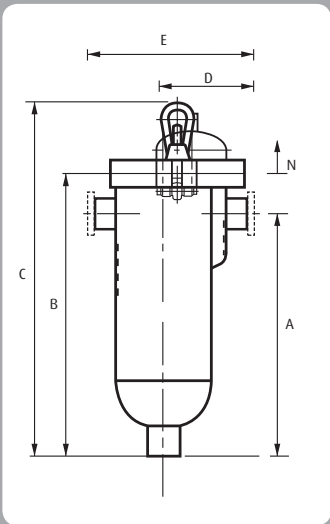
Flow rate is dependant on type of media, size of particle to be removed, fluid velocity and volume of contamination



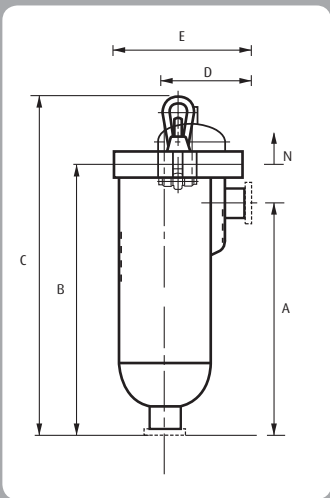
HD13

RBFS14

RBFV14



HD Style 1 (1" BSP(F) or flanged)



HD Style 2 (1" BSP(F) or flanged)

HD13 Dimensions (Nominal)

Connection type	Style	A	B	C	D	E	N*
1" BSP	1	209	263	365	128	230	230
1" FLG	1	209	263	365	141	256	230
1" BSP	2	209	263	365	128	214	230
1" FLG	2	222	279	378	141	227	230

* Minimum clearance to remove filter bag

HD14 Dimensions (Nominal)

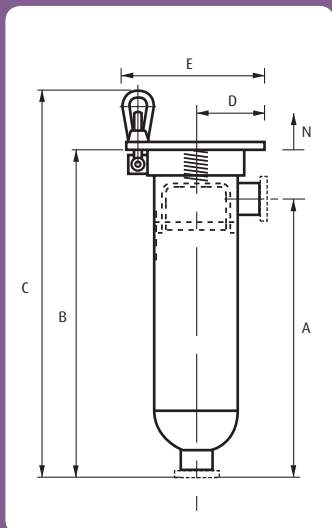
Connection type	Style	A	B	C	D	E	N*
1" BSP	1	344	403	499	128	230	380
1" FLG	1	344	403	499	141	256	380
1" BSP	2	344	403	499	128	214	380
1" FLG	2	357	416	512	141	227	380

* Minimum clearance to remove filter bag

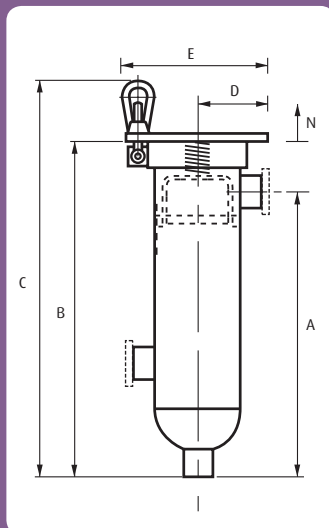
RBF13 Dimensions (Nominal)

Connection type	Style	A	B	C	D	E	N*
1" BSP	2, 3, 4	300	376	467	101	209	230
1" FLG	2	313	389	480	114	222	230
1" FLG	3	300	376	467	114	228	230
1" FLG	4	300	376	467	114	222	230

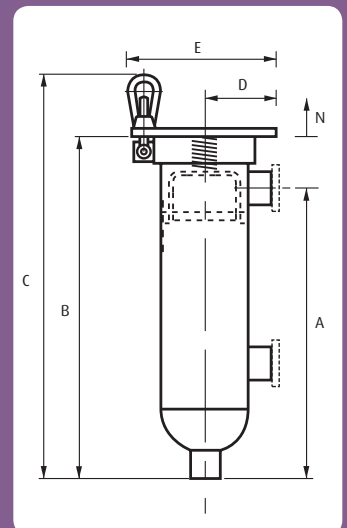
* Minimum clearance to remove filter bag



RBF Style 2 (1" BSP(F) or flanged)



RBF Style 3 (1" BSP(F) or flanged)



RBF Style 4 (1" BSP(F) or flanged)

RBF14 Dimensions (Nominal)

Connection type	Style	A	B	C	D	E	N [*]
1" BSP	2, 3, 4	435	511	605	101	209	380
1" FLG	2	448	524	618	114	222	380
1" FLG	3	435	511	605	114	228	380
1" FLG	4	435	511	605	114	222	380

* Minimum clearance to remove filter bag

RBFS13 and 14 Dimensions (Nominal)

Model code	Connection type	Style	A	B	C	D	N [*]
RBFS13	1" BSP	2	296	391	105	190	230
RBFS14	1" BSP	2	431	526	105	190	380

* Minimum clearance to remove filter bag

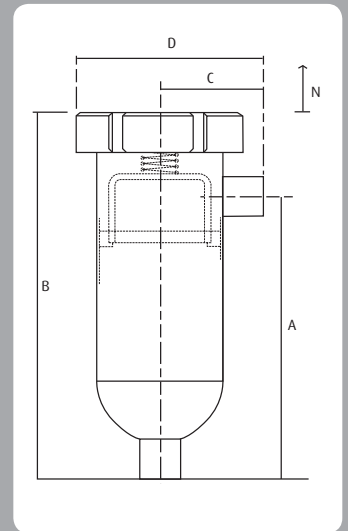
Styles 3 and 4, and flanged connections also available

RBFV13 and 14 Dimensions (Nominal)

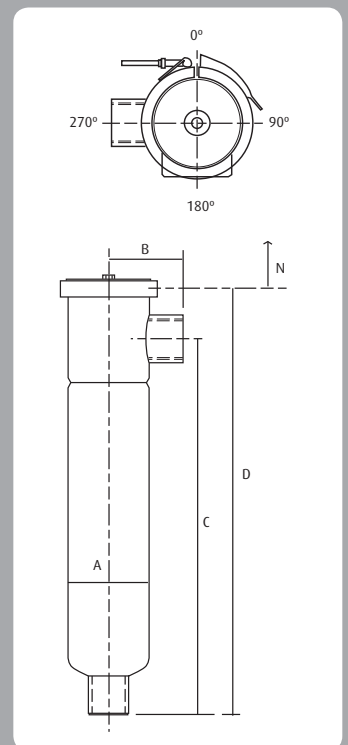
Model code	Connection type	Style	A	B	C	D	N [*]
RBFV13	1.5" BSP	2	114	96	315	375	230
RBFV14	1.5" BSP	2	114	96	450	510	380

* Minimum clearance to remove filter bag

Note: All Dimensions (mm) are nominal, not to be used for installation purposes.



RBF5 Style 2 (1" BSP(F))



RBFV Style 2 (1.5" BSP(F))



Specification

- 1" BSP drain standard on HD style 1 (inline), and RBF/RBFS Style 3,4
- 1/4" BSP plug optional on inlet HD13 and HD14 only
- 1/4" BSP plug standard on top vent of all models
- 1" BSP (F) inlet and outlet standard for threaded HD, RBF and RBFS vessels.
- 1" ANSI 150 inlet and outlet flanges standard for all flanged vessels.
- Customer may specify piping size, connection type and configuration if different from standard. (RBFV is only available with 1.5" BSP (F) connections and in style 2 configuration)
- Gasket materials include: Buna-n (nitrile), EPDM (Ethylene propylene), Viton, Neoprene, PTFE, PTFE Encapsulated

Special Option and Custom Made Vessels

Allied Filter Systems is able to offer vessels with special options to suit all customer requirements.

- Various connection sizes and orientations (styles)
- Other connection types eg. Sanitary (Tri-clamp, RJT, Milk pipe etc.), Camlock, RFF Flanges
- Multiple housings manifolded. For example, duplexed.
- Modular system, allowing expansion
- With heating jacket
- Trolley Mounted
- Special alloys (e.g Hastelloy)
- Custom made, special design vessels.
- Higher pressure and temperature ratings
- Stainless steel mesh lined baskets
- Interior coated vessels (e.g. Halar)
- Polished internal finish
- Manually polished exterior
- Longer adjustable legs



Two RBFH housings manifolded together and fitted with valves to enable use in a continuous process. One filter bag can be changed out whilst the other housing is in use.



HD filter housing with internal and external antistatic halar coating





Modular system with common inlet and outlet pipes. Valves are fitted to enable isolation of individual or multiple housings to enable filter bag change during continuous operation. The number of housings may be increased at any time to expand the system

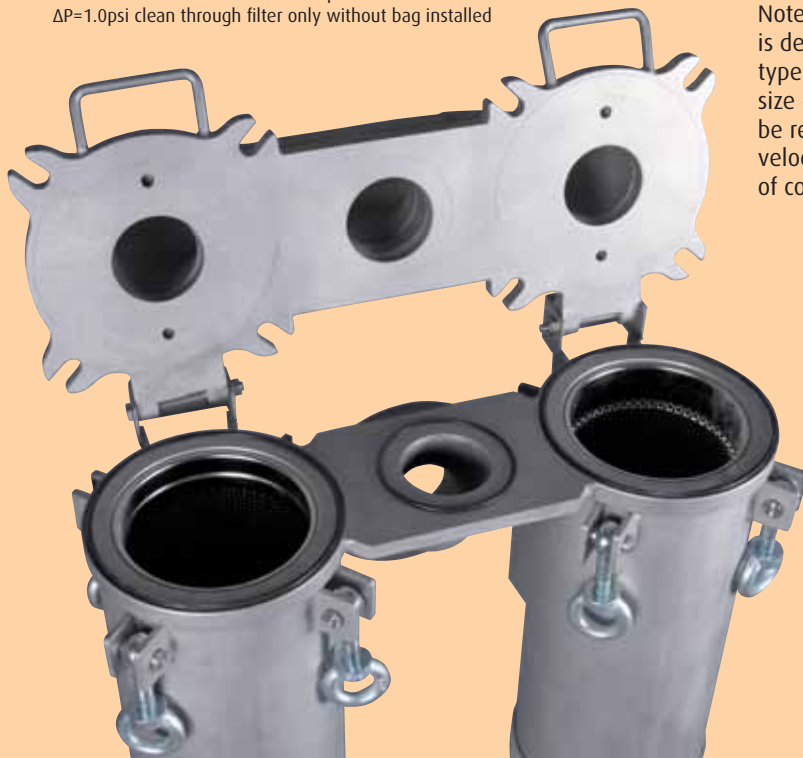
HD22 Dual Filter Bag Housing

The HD22 dual filter bag housing is a two bag vessel with one common lid. It has a top entry design, ensuring a minimum head of unfiltered liquid. Based on our HD series, it features flush top fitting filter bags, which enables easy changeout. The filter bag is held in position by compression from the top cover, ensuring a 360° positive seal.

Dual filter housings have a stainless steel 304 or 316L construction with a bead blasted or chemically brightened external finish. The HD22 filter housing is 110°C and 10 Bar rated, and can be CE Marked.

Model Code	Number of filter bags	Bag size number	Filtration Surface area (m ²)	Inlet/Outlet size (inches)	Maximum flow rate*		
					GPM	Litres/min	m ³ /hr
HD22	2	2	1.0	DN 80	294	1332	80.0

*Maximum flow rate is based on aqueous flow at ΔP=1.0psi clean through filter only without bag installed



Note: Flow rate is dependant on type of media, size of particle to be removed, fluid velocity and volume of contamination



Multi Bag Filter Housings

Allied Filter Systems is able to offer multi bag vessels containing 3 to 24 bags, for applications requiring high flow rates or a large filtration surface area. Flow is split equally through each filter bag, ensuring an even distribution of solid loading.

We offer two designs with a selection of three different closure types:

Designs:

- Dome lid

Filter Bags are held in position by individual bayonets

- Flat lid with individual fluid distribution pipes (4 bag only)

Filter bags are compressed by the lid, ensuring excellent 360° seal. This design reduces the amount of residual liquid in the lid, minimising product loss and possible spillage.

Closure Types:

- Quick Closure system allowing a fast bag changeout, with 'weightless feel' spring assisted counterbalanced hinged lid
- Bolted lid with 'weightless feel' spring assisted counterbalanced hinged lid
- Bolted lid with Davit arm

Multi bag vessels are available with a choice of inlet and outlet orientations:

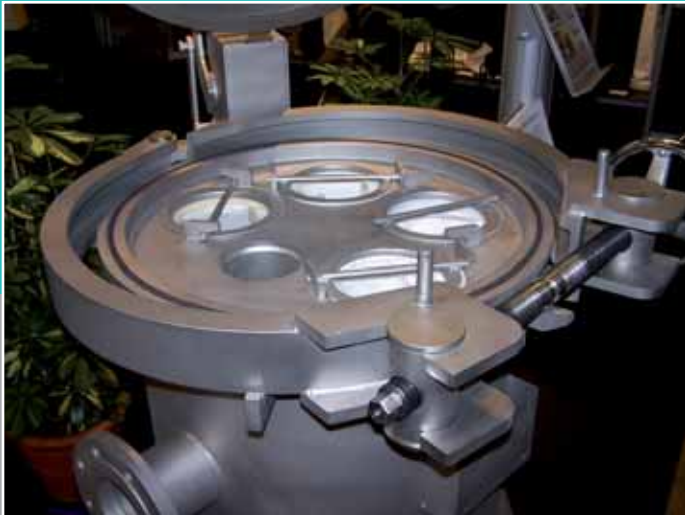
Style 1 – 90° bottom elbow inlet / 90° bottom elbow outlet (enables in-line pipework)

Style 2 – Side inlet / bottom outlet

Style 3 – Side inlet / tangential bottom outlet (Minimises installation height)

Style 6 – Side inlet / 90° bottom elbow outlet

Multi bag vessels are available constructed from stainless steel 304 or 316L. Some models are available in carbon steel. Standard pressure ratings are 6 Bar or 10 Bar, but higher pressure ratings are available on request. Optional features are available to meet all customer requirements (See page 12)



Quick Closure System

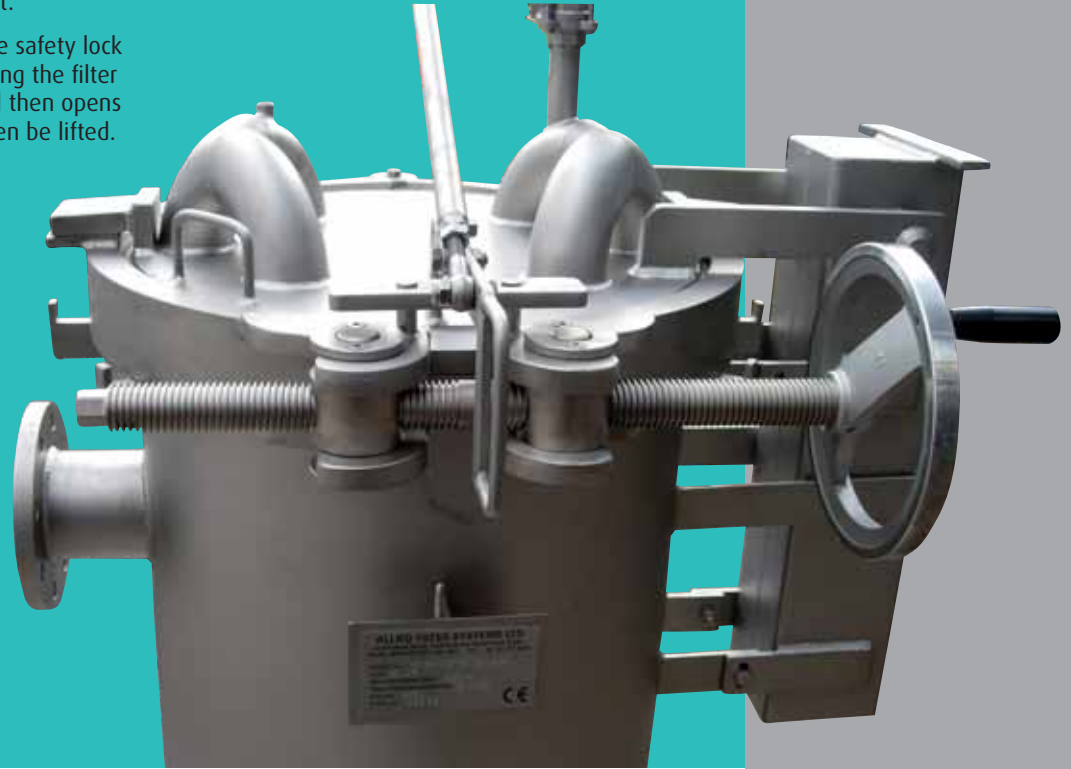
The quick closure system was developed for multi bag vessels to eliminate the need for swing bolts, which considerably decreases the time required for filter bag changeout.

The system consists of a heavy duty precision engineered clamp, an opening wheel with counter screw, and a safety lock attached to the housing vent.

To change the filter bags, first the safety lock is released, simultaneously venting the filter housing. Turning the hand wheel then opens the clamp. The hinged lid can then be lifted.

The spring assisted counterbalance system gives the lid a weightless feel. The filter bags can then be changed, and the reverse procedure is carried out to close the housing.

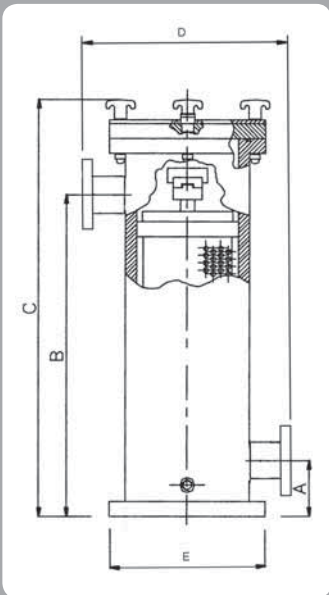
The hinged lid design minimises the installation space required compared to davit lid models.



Model Code	Number of filter bags	Bag size number	Filtration Surface area (m ²)	Standard Inlet/Outlet size	Maximum flow rate*		
					GPM	Litres/min	m ³ /hr
HD32	3	2	1.5	DN100	440	2000	120
HD42	4	2	2.0	DN100	587	2667	160
HD52	5	2	2.5	DN125	734	3333	200
HD62	6	2	3.0	DN125	880	4000	240
HD82	8	2	4.0	DN150	1174	5333	320
HD102	10	2	5.0	DN200	1468	6667	400
HD122	12	2	6.0	DN250	1761	8000	480
HD162	16	2	8.0	DN300	2348	10667	640
HD202	20	2	10.0	DN350	2935	13333	800
HD242	24	2	12.0	DN350	3522	16000	960

*Maximum flow rate is based on aqueous flow at $\Delta P=1.0$ psi clean through filter only without bag installed

Flow rate is dependant on type of media, size of particle to be removed, fluid velocity and volume of contamination



Style 3 (2" flanged)



Polypropylene Series 11/12

Polypropylene bag filter housings are available for applications where materials such as Stainless steel are incompatible with the fluid to be processed.

The Polypropylene series is a side entry, recessed basket design filter housing. The polypropylene restrainer basket has a high open area and holds our complete range of filter bags, including our moulded 'Welseal' collar.

An important feature of our design is that it has a bolted lid, which is advantageous compared to screw on lid models. Polypropylene threads can wear over time due to repeated opening and closing of a screw on lid, which ultimately damages the lid closure arrangement. Furthermore, polypropylene

can creep when pressurised, which can also damage such closure systems. The bolted lid design enables our polypropylene filter bag housings to be CE Marked.

For continuous processes, we are able to offer duplexed systems with interconnecting valves, or if higher flows are required, several housings can be manifolded together.

The standard configuration is our style 3 i.e. top side inlet - bottom side outlet. It has a bottom drain and top vent, and 2" ANSI (or DN50) flanged inlet and outlet connections. The vessel is designed to be floor mounted, although optional adjustable stainless steel legs are available. Polypropylene filter bag housings are available either 6 Bar or 10 Bar rated (see graph below).

Model Code	Number of filter bags	Bag size number	Surface area per bag (m ²)	Inlet/Outlet size (inches)	Maximum flow rate*		
					GPM	Litres/min	m ³ /hr
PP11	1	1	0.25	2"	73	333	20
PP12	1	2	0.50	2"	147	666	40

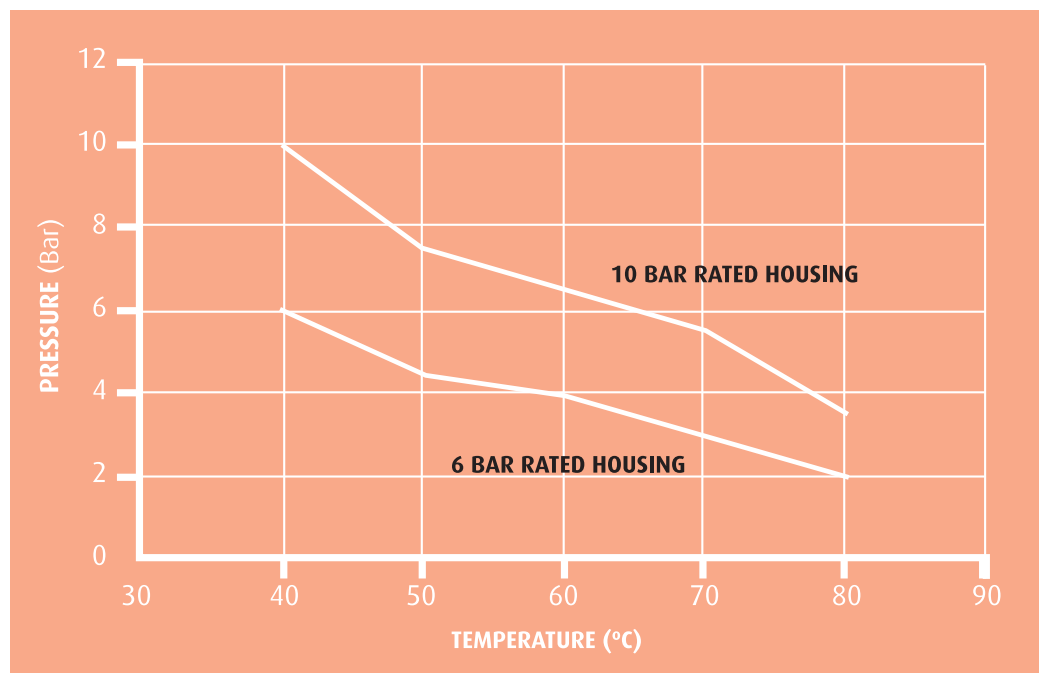
*Maximum flow rate is based on aqueous flow at ΔP=1.0psi clean through filter only without bag installed

Dimensions (mm) are nominal, not to be used for installation purposes.

Model Code	Connection Type	A	B	C	D	E	N*
PP11	2" FLG	115	575	750	380	315	406
PP12	2" FLG	115	905	1080	380	315	762

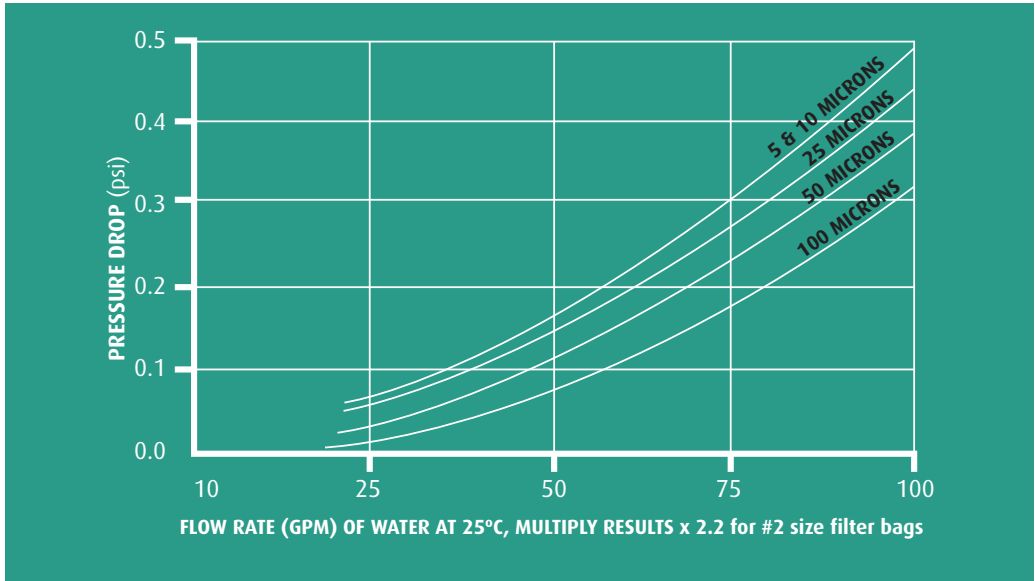
* Minimum clearance to remove filter bag

Pressure rating versus Temperature for Polypropylene Bag Filter Housings

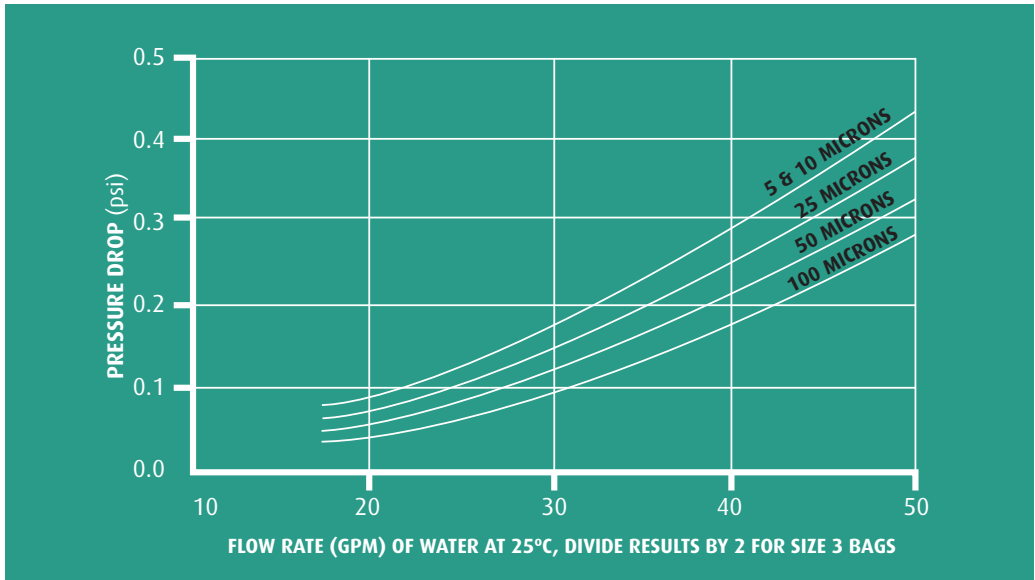


Technical and Performance Data

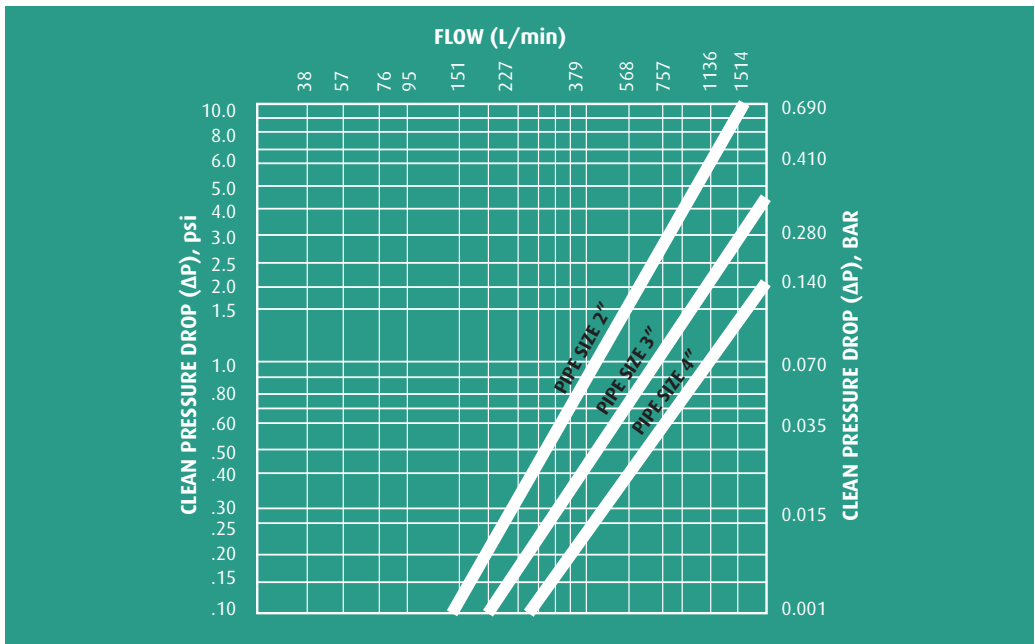
Filter Bag performance for size 1 bags



Filter Bag performance data for size 4 bags



Pressure drops



Bag Filter Accessories



Allied Filter Systems Ltd. is able to supply a wide range of bag filter accessories to complement our range of filter housings and also those from other manufacturers.

- Restrainer baskets – Stainless steel 316 in all sizes and available in a variety of styles to fit all types of housings. Re-meshing services are also available for damaged baskets.
 - O-rings – Materials include Viton, EPDM (ethylene propylene), Buna-n (nitrile), PTFE, silicone, PTFE encapsulated viton, PTFE encapsulated silicone, neoprene. Available in all cross section types and sizes.
 - Hold down devices.
 - Eye nuts, clevis pins, and swing bolts.
 - Eye nut keys.
 - Displacement floats – Displace liquid in the vessel ensuring easier bag changes and reducing product wastage.
 - Bar Magnets – Magnetic particles from process liquid adhere to the bar magnet surface. Helps to prolong filter bag lifetime by reducing surface abrasion and the amount of solid collected by the bag.
 - Adjustable legs – Stainless steel 304, 316 or carbon steel in standard or custom made lengths.
 - Adaptor heads – Available in polypropylene for open bag systems.
- Not shown above:**
- Bulk loaders (Stainless steel open filtration system to fit plastic ring bags, consisting of basket, threaded adaptor head and heavy duty clamp).
 - Backflush retainer cages / Bag positioners.
 - Pressure gauges and release valves.

Welseal and Santaseal Moulded Ring Filter Bags

Whilst all of our filter bag housings accept traditional sewn steel ring filter bags, utilising bags fitted with our moulded **Welseal** or **Santaseal** rings achieves best performance and provides ease of use.

The moulded ring forms a 360° hermetic seal between the filter bag and housing, eliminating any possibility of bypass around a steel ring, which is a potential source of product contamination. This ensures that a moulded ring filter bag performs to a higher efficiency than a steel ring equivalent. The use of moulded ring filter bags is therefore especially important if your application is critical, for example where low micron ratings or high efficiency filter bags are required.

Allied Filter Systems offers a choice of polymer types to give the appropriate temperature and chemical compatibility for your process :

- Polypropylene (**Welseal**) ring
- Polyester (**Welseal**) ring
- Santoprene® (**Santaseal**) ring

Welseal rings are welded to the filter bag media, eliminating needleholes inherent to the sewing process. When attached to needlefelt or microfibre filter media, fully welded filter bags can be provided, giving total elimination of needleholes and sewing threads.

Their constituent polymers meet EC and FDA directives governing contact with food and pharmaceutical products.

Welseal and **Santaseal** rings also feature moulded handles, which enable faster bag change and installation.

Filter bags fitted with moulded rings are constructed from 100% synthetic components, making them fully combustible or enabling polymer recycling.

For more information on our complete range of filter bags, see separate brochure.





Allied Filter Systems Ltd recognise environmental management as among the highest priorities within our business. Our working practices minimise waste generation and resource consumption to safeguard the environment. We continually assess and improve the environmental impacts of our business and work with our suppliers and customers to help develop more environmentally friendly processes and products.



Sales Offices in UK, France & Sweden

UK Head Office and Manufacturing

Allied Filter Systems Limited, Huntsman Drive,
Northbank Industrial Park, Irlam, Manchester M44 5EG

Telephone: 0161 777 9500 **Fax:** 0161 777 9506

Email: sales@alliedfilter.co.uk

website: www.alliedfilter.co.uk



FM 36648

There are no implied warranties, including the implied warranty of merchantability and fitness for a particular purpose not specific herein respecting this agreement or the product being sold hereunder or the service provided herein.

This brochure has been printed on paper manufactured from renewable timber, produced on a fully sustainable basis and is suitable for recycling. The pulp used in this paper has been bleached by an elemental chlorine free process (ECF).